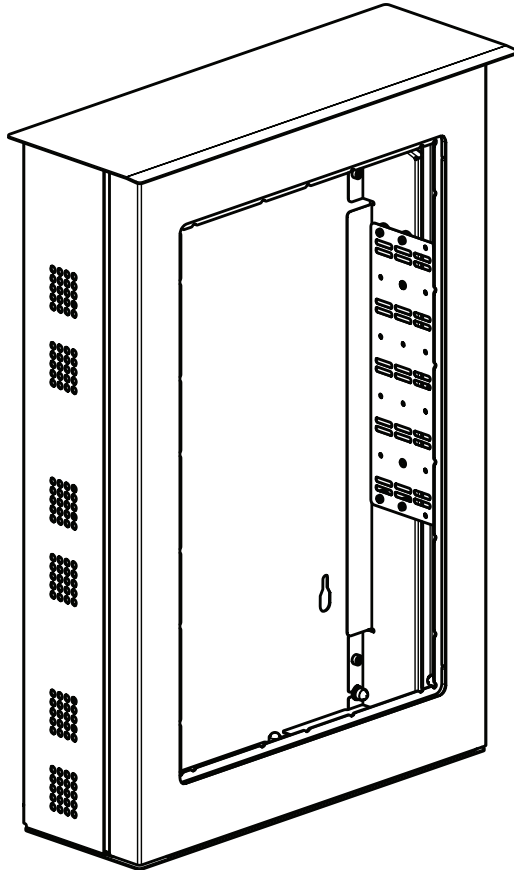


# Installation Guide

**SPOW000000**

**SpacePole Outdoor Kiosk for 2799L – Wall mounted**





## CAUTION

- Be sure to read & understand the entire installation guide, before starting the installation.
- This product must be installed by a professional installer. More than one person needs to be involved in the installation of this product.
- This product is designed to be mounted on a wall. Before installation please verify that the supporting surface can bear the combined weight of the solution and hardware.
- Do not to overtighten the fixings.
- Do not scratch the surface of the solution during installation, as it can lead to corrosion over time.
- The maximum weight limit for hardware (screen, accessories etc.) for this product is 15kg. Do not exceed the stated weight limit.
- It is the responsibility of the installer to use the appropriate outdoor fixings for the specific installation location. Please follow the fixing suppliers recommendations for installation.
- This product is intended for outdoor use. Installation cannot take place in rough weather conditions (strong winds, heavy rain or snow).
- This product is designed for outdoor certified hardware and accessories. Always follow the installation guide from the hardware manufacturer for correct installation.
- This product includes air ventilation holes on the sides of the unit. These need to remain open at all times to ensure correct operation of the screen.
- This product is tested to an IP55 rating. This does not include environmental parameters like temperature and humidity. All technologies mounted in the solution are subject to hardware manufacturer's own operating standards, specifications and warranty conditions.
- Please don't power the hardware, until the entire solution is fully assembled.
- If these installation instructions are not followed precisely, it could lead to product failure and potential personal injury.
- Ergonomic Solutions / SpacePole Inc. cannot be held responsible for any failure or injury, if the installation instructions are not followed correctly.
- Ergonomic Solutions / SpacePole Inc. cannot be held responsible for any failure or injury, if any modifications have been made to the product by the customer.

## MAINTENANCE

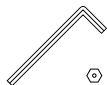
- Any scratches to the surface of this product should be repaired immediately to avoid any corrosion.
- Do not open the outdoor kiosk in bad weather (Rain, storm, snow etc.).
- When the door is open, please keep the back of the screen clear from any water or dust
- It is the responsibility of the customer to periodically check the installation and ensure it is clean, all air ventilation holes are free and all fixings are tightened correctly.
- The drain holes in this product need to remain open at all times. It is the responsibility of the customer to periodically check and clean these.
- Do not use pressure hoses or high-pressure water jets, garden hoses and sprinklers directly on this product.
- It is recommended to always keep the hardware turned on



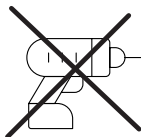
## CLEANING GUIDE

- If the effect of the particular cleaning agent is not known, a preliminary check must be carried out. If the following instructions do not prove successful, the further course of action is to be coordinated with Ergonomic Solutions / SpacePole inc.
- Suitable products:
  1. Neutral aqueous cleaning agents and neutral synthetic detergents or wetting agents are suitable for removing loosely-adhering dirt from coated surfaces.
  2. Mildly acidic, aqueous cleaning agents may be used to remove soiling caused by building work (grout and lime spattering); e.g. table vinegar, diluted 1:1 with water; undiluted for stubborn stains.
  3. It is possible to remove very greasy films with organic solvents, e.g. ethanol, although these should only be allowed to work for a short time. Rubbing can cause the coating to become dull.
  4. Mildly alkaline, aqueous cleaning agents are suitable for cleaning purposes, provided that the corresponding directions for use are observed. The cleaning agents must furthermore conform to the requirements of the regulation governing substances harmful to the environment (substances regulation) of 9 June 1986, appendix 4.2.
- Important: The surfaces to be cleaned are to be cleaned as gently as possible and thoroughly rinsed off with water afterwards, since residue from salts, acids and alkalis can lead to corrosion.
- Never use abrasive cleaning agents!
- Unsuitable products
  1. Highly acidic, aqueous cleaning agents: When using acetic acid, oxalic acid, phosphoric acid, concentrations exceeding 0.5 per cent are not permitted. Other acids, such as hydrochloric acid, sulphuric acid, etc., are not suitable in any concentration.
  2. Highly alkaline, aqueous cleaning agents: All products of this type are prohibited from use as cleaning agents for coatings.
  3. Solvent-based cleaning agents such as ester, ketone (e.g. acetone), glycol ether, benzene, thinners (e.g. NC thinners), stain removers and chlorinated hydrocarbons are unsuitable.
- These recommendations correspond to the current general state of knowledge and do not infer any legal obligations. If in doubt, and in special cases, a preliminary test must always be carried out.

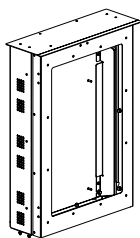
## Tool list



Torque wrench



## Box content



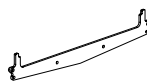
1x (A1)  
Enclosure



8x M6 nut w.  
washer



1x (A2)  
Mounting frame

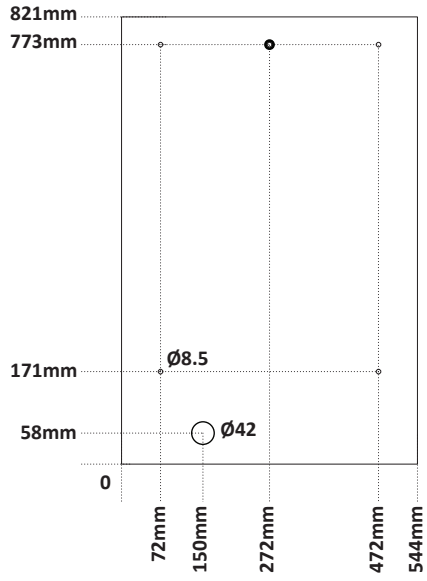
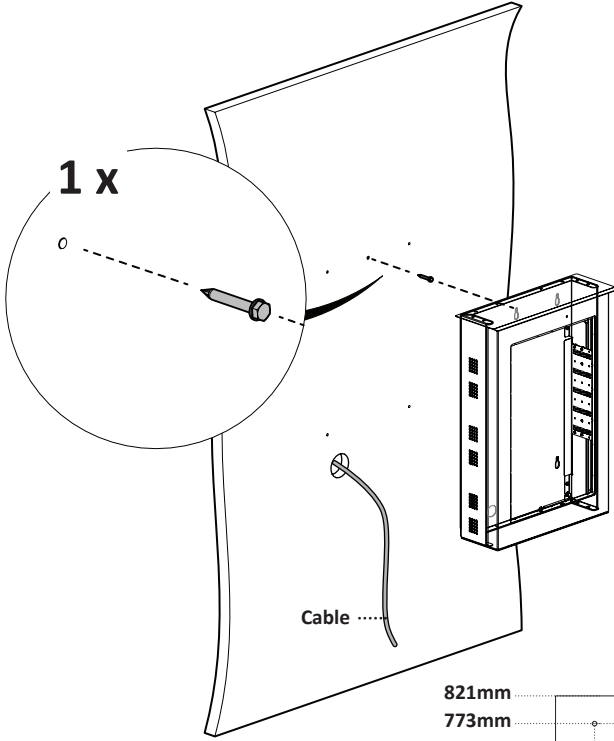


2x (A3)  
top/bottom spacer



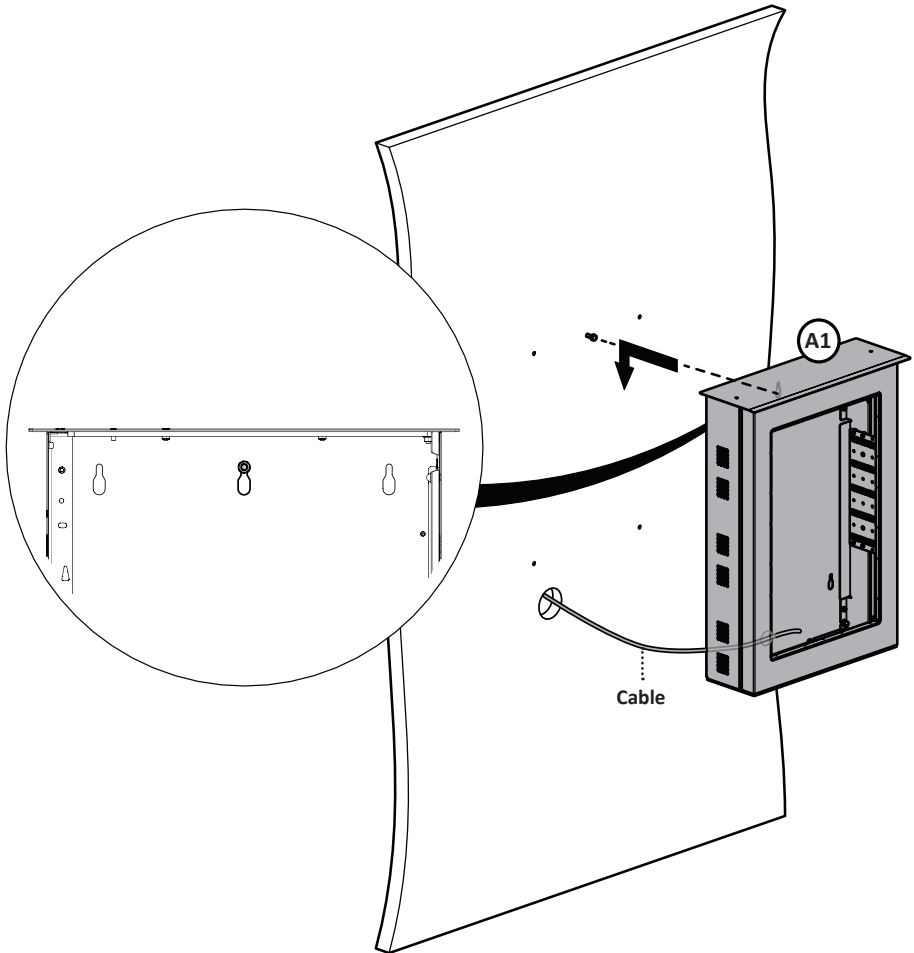
2x (A4)  
side spacer

**1** Mark the centre hole & install screw



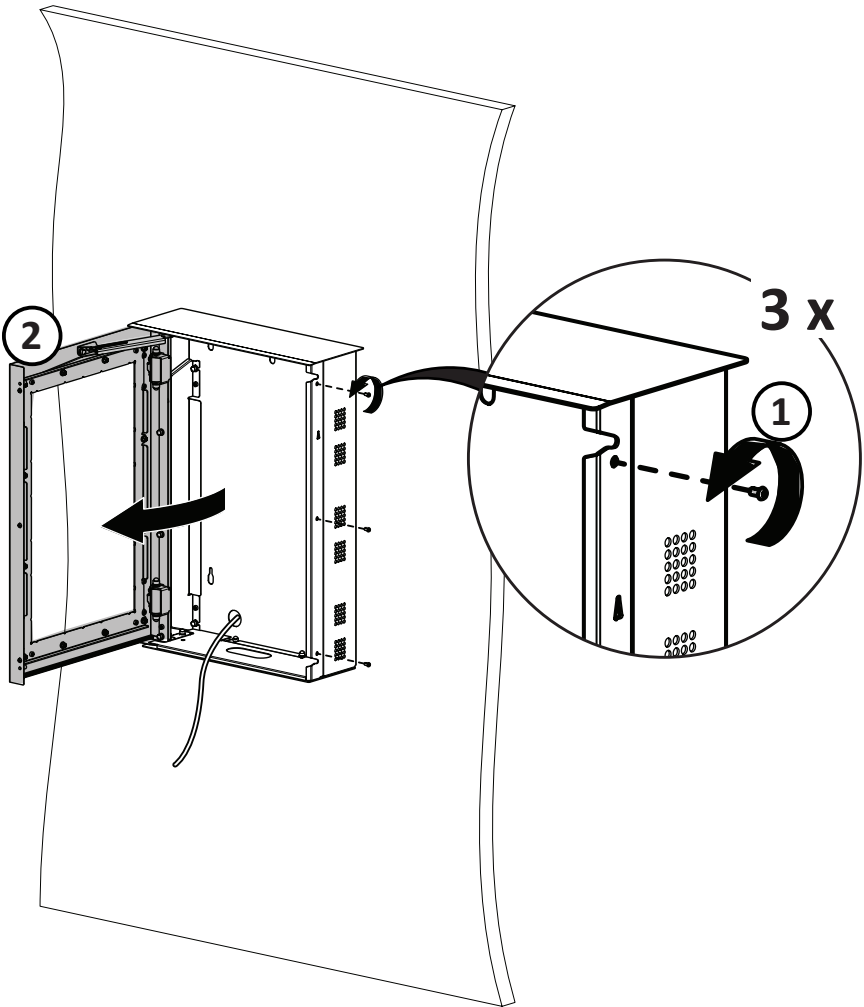
**NB: FIXINGS FOR WALL MOUNTING ARE NOT INCLUDED**

**2** Hook cabinet onto the centre screw

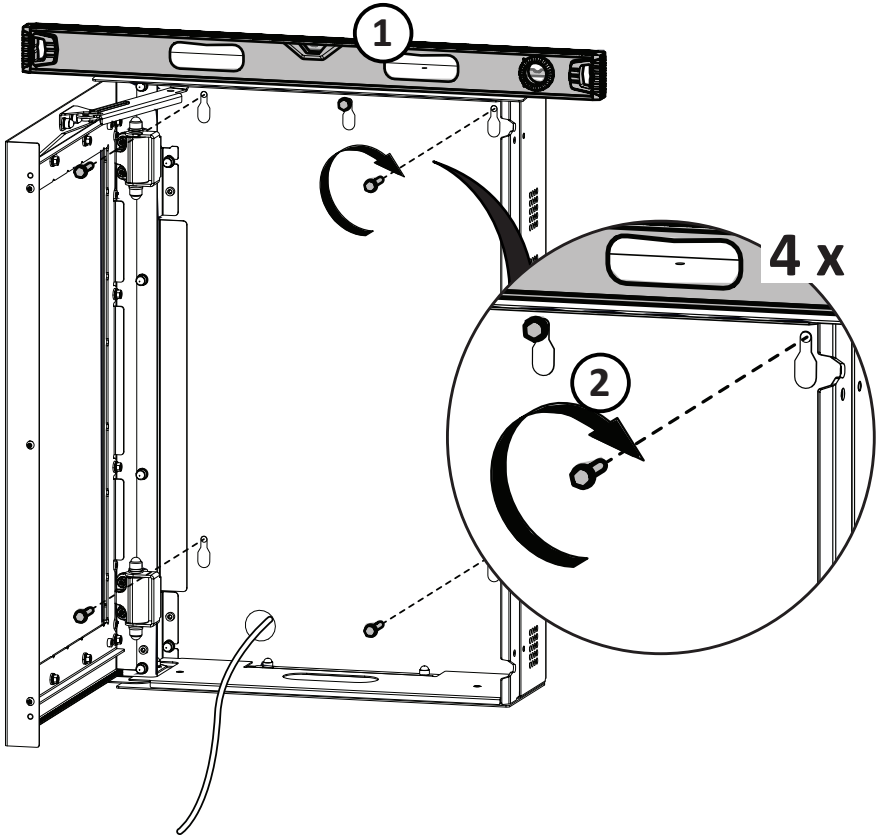


**CABLES CAN BE RUN INTO THE REAR OF THE CABINET - USE THE Ø42 HOLE**

**3** Unscrew the secure Allen screws & open the cabinet door



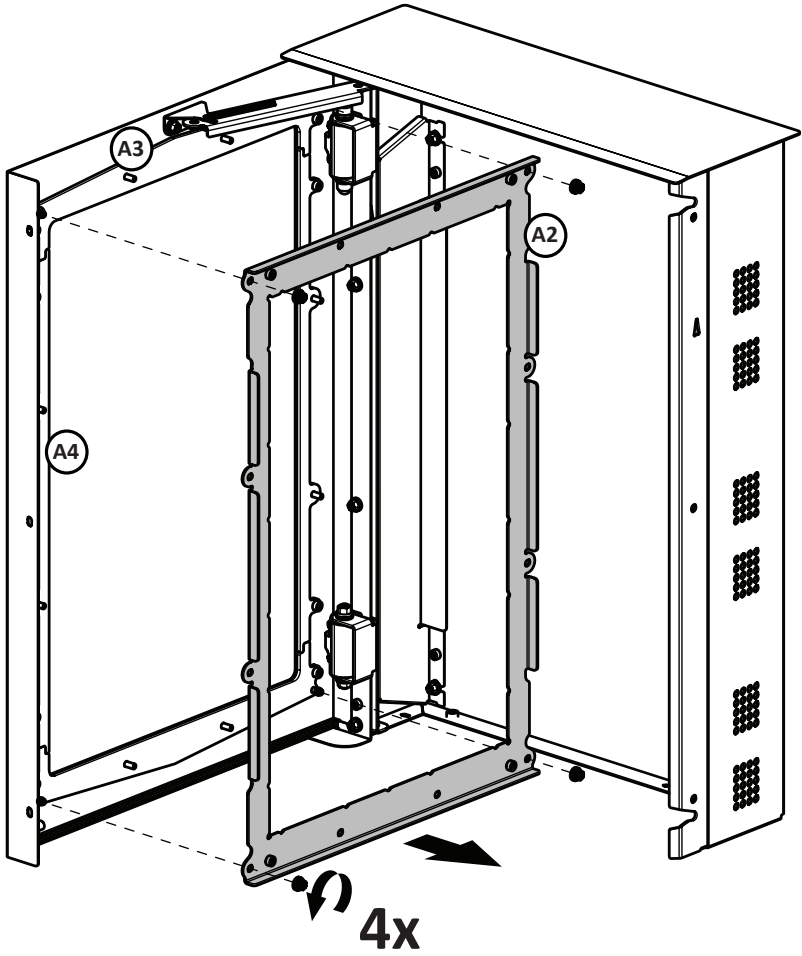
4 Level the cabinet & install the remaining screws



**NB: FIXINGS FOR WALL MOUNTING ARE NOT INCLUDED**

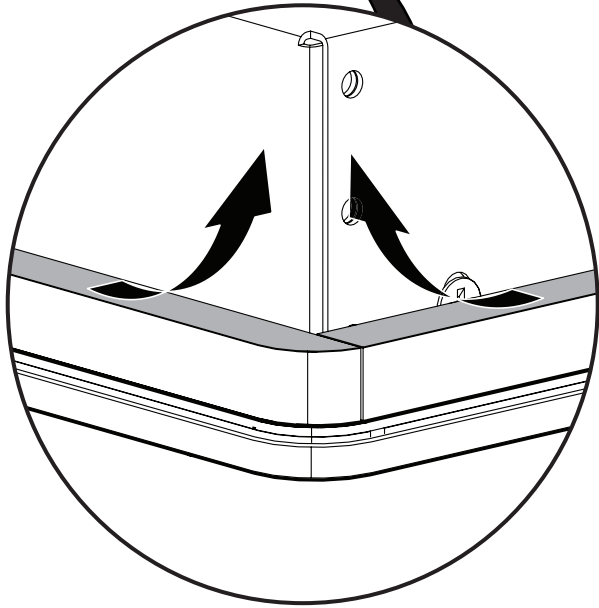
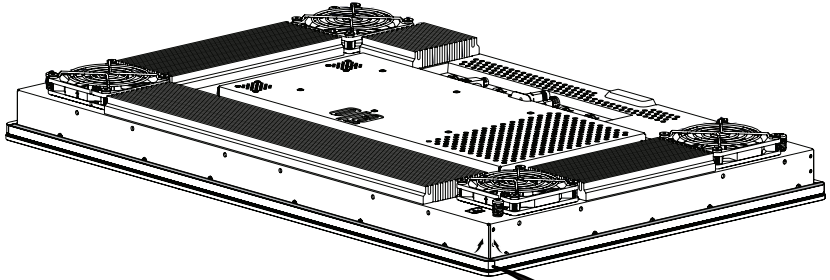


5 Remove the Elo mounting frame from the enclosure



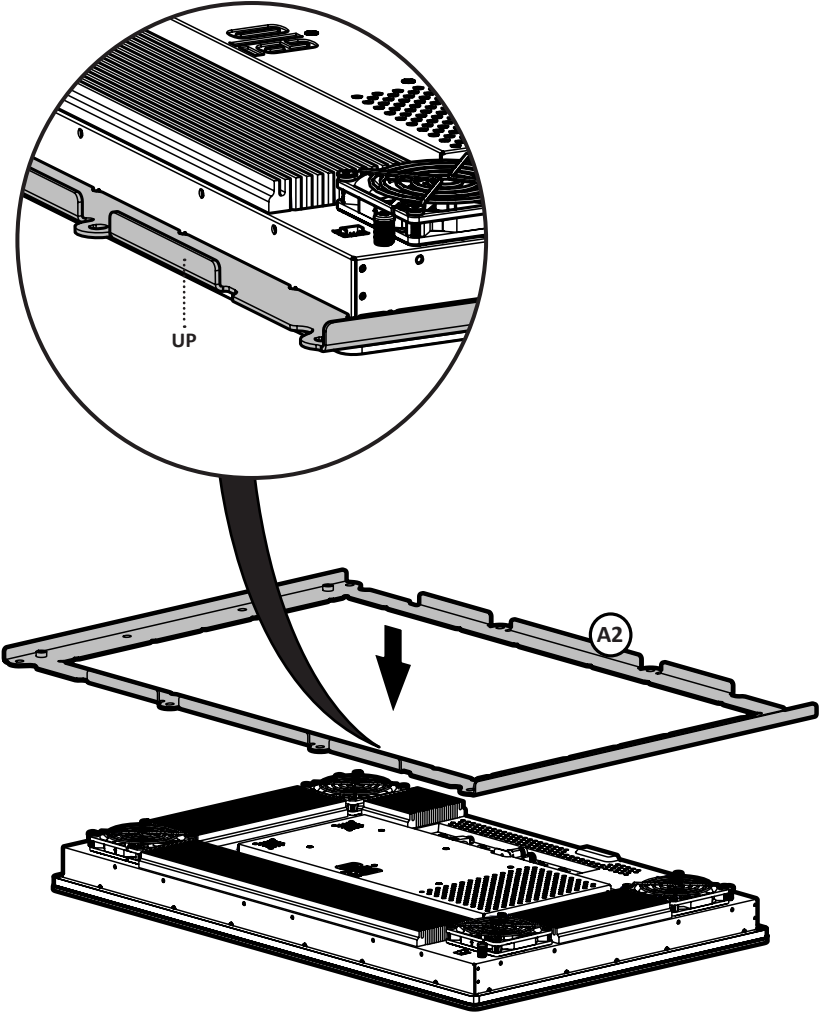
THE FOLLOWING STEPS DISPLAYS HOW TO PREPARE ELO 2799L

6 Remove the protective liner from the Elo display gasket



**BE SURE TO PROTECT THE DISPLAY USING A BLANKET OR SIMILAR WHILE FACING THE SCREEN DOWNWARDS ON A FLAT SURFACE**

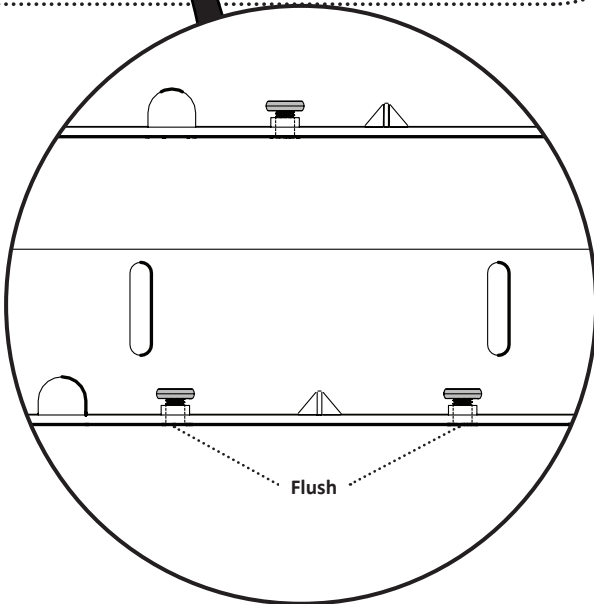
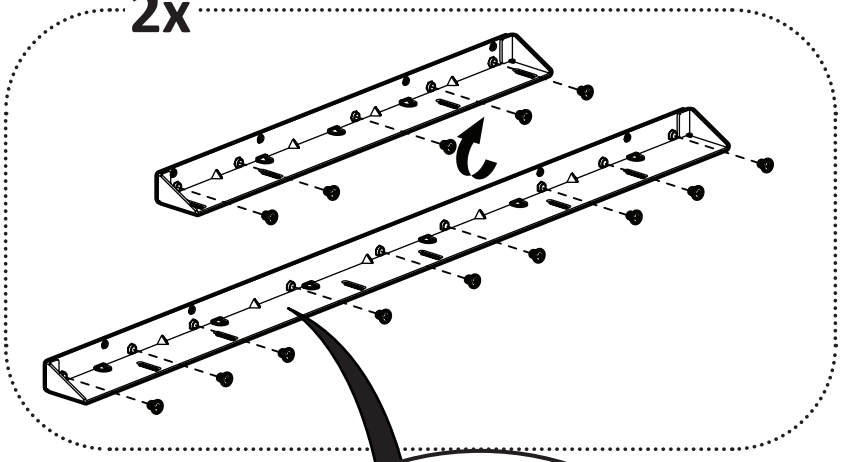
7 Install the mounting frame for the Elo display



**NOTE MOUNTING FRAME ORIENTATION. EDGES MUST FACE UP**

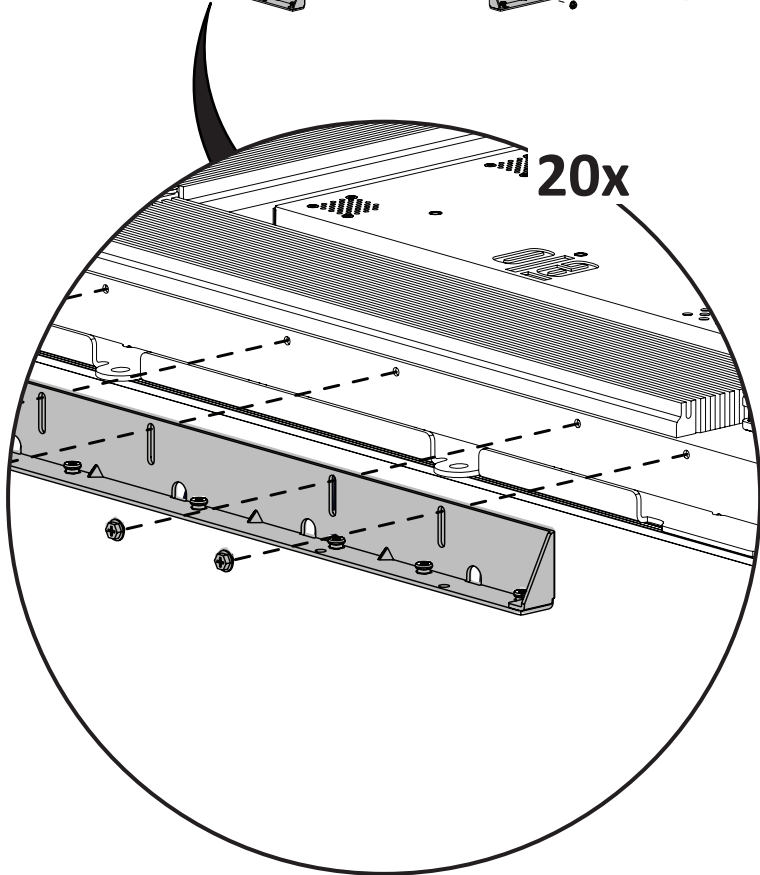
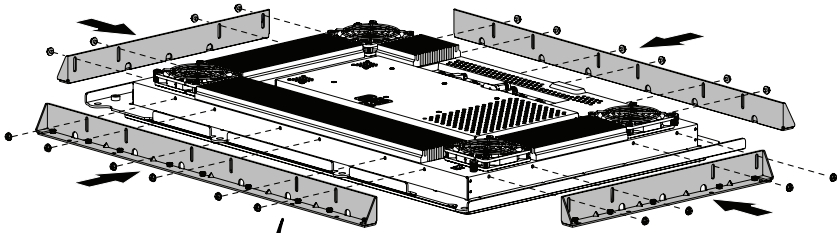
8 Install screws for the Elo brackets

2x



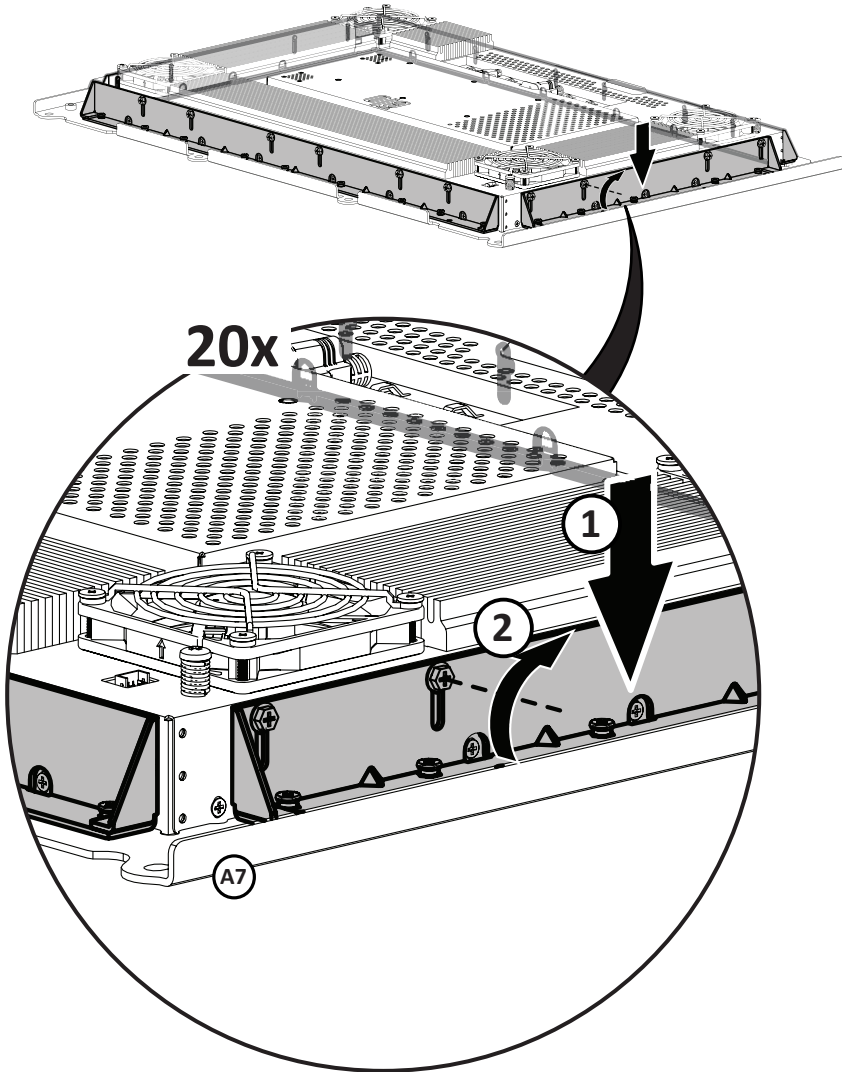
SCREWS & BRACKETS ARE SUPPLIED WITH THE ELO DISPLAY.  
MAKE SURE TO INSTALL SCREWS FLUSH WITH THE EDGE

9 Install the Elo brackets on to the Elo display



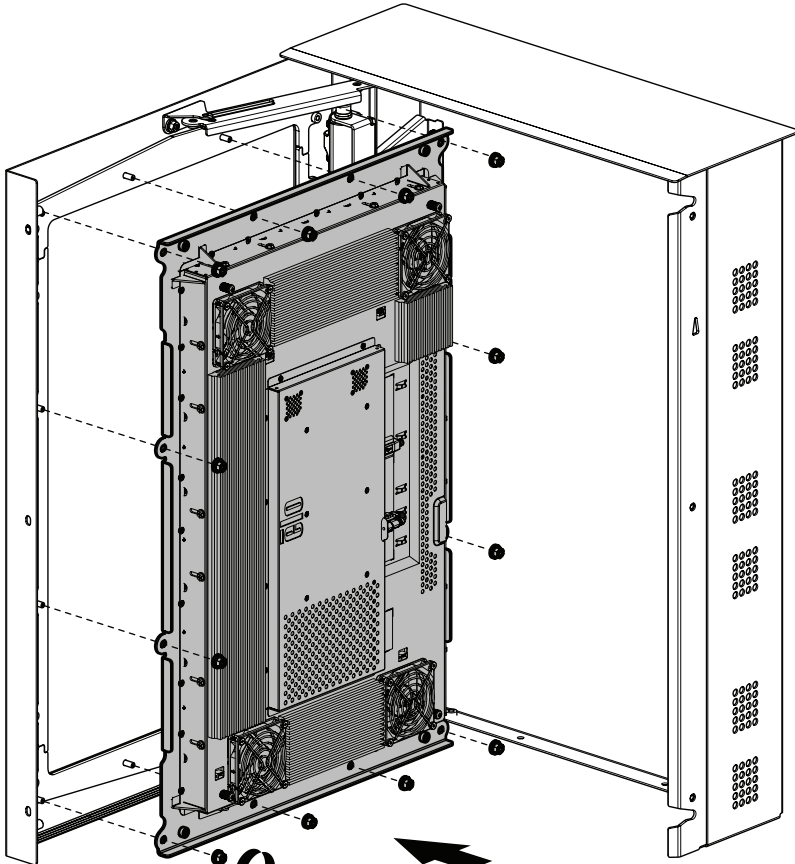
**DO NOT FULLY TIGHTEN SCREWS**

10 Install the Elo display w. the brackets on to mounting frame

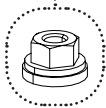


WHILE PRESSING DOWN ON THE 4 BRACKETS. FULLY TIGHTEN 20 SCREWS

**11** Install the Elo display with brackets onto the door

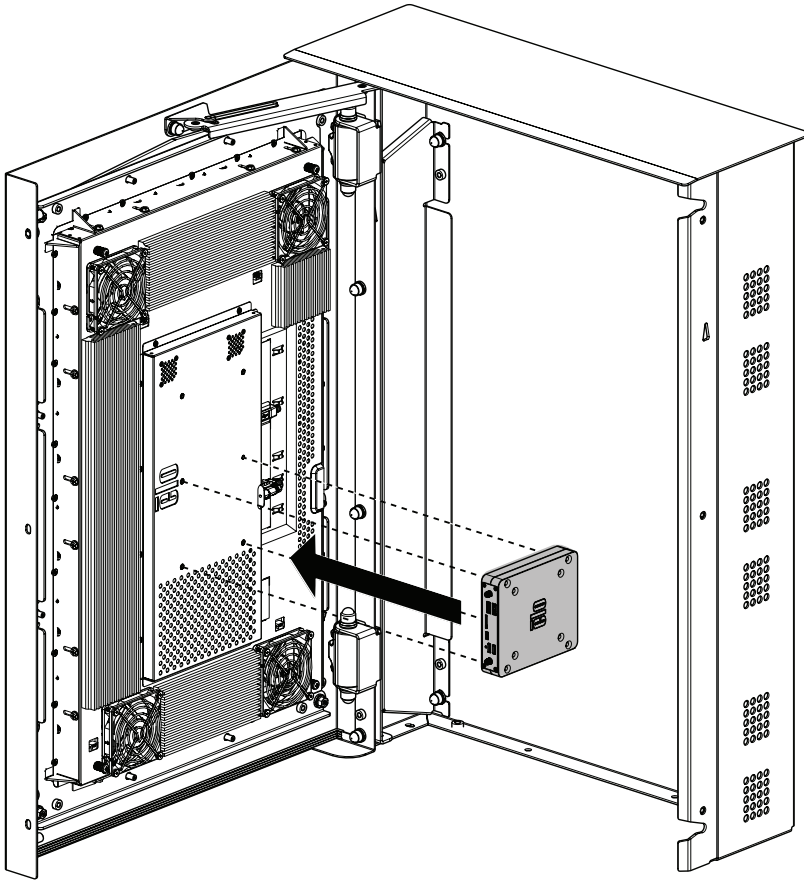


**12x**



M6 nut w. washer

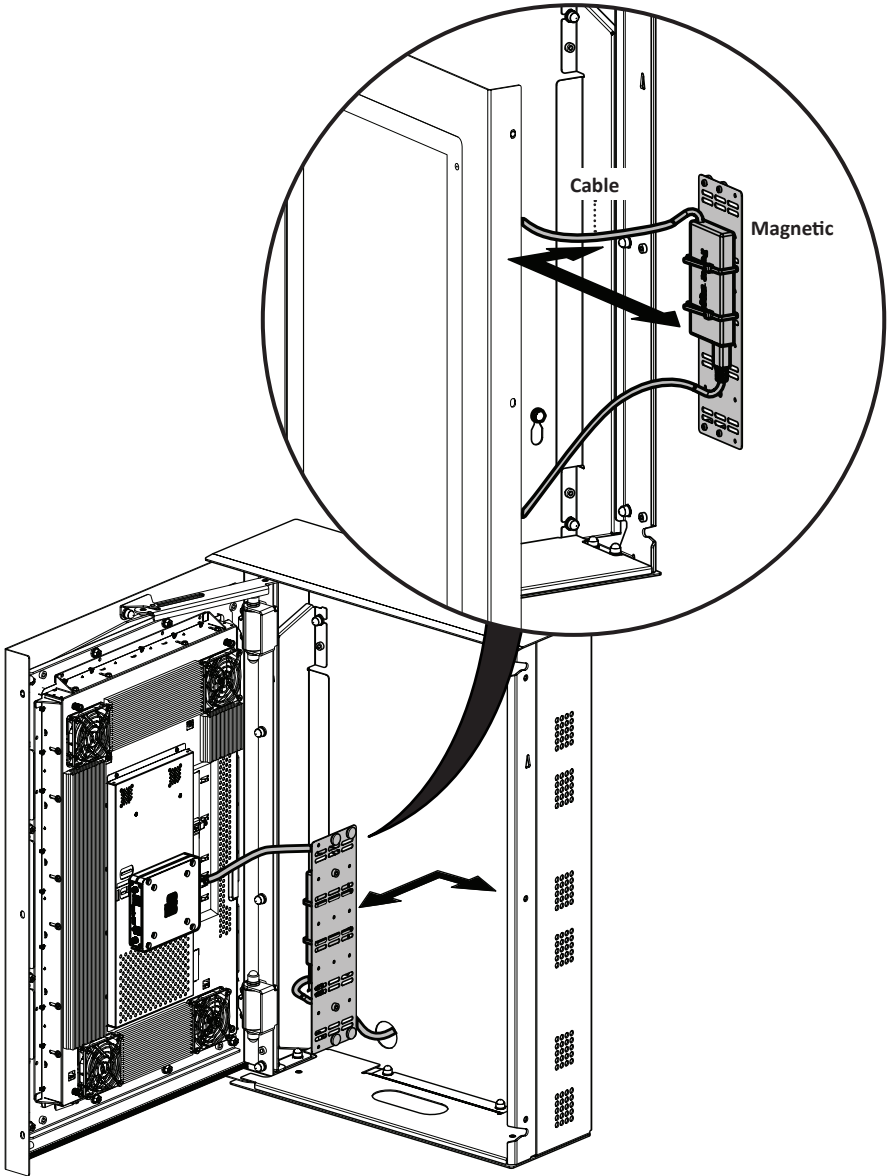
## 12 Install the Elo Backpack



**ELO BACKPACK SUPPLIED SEPERATELY**

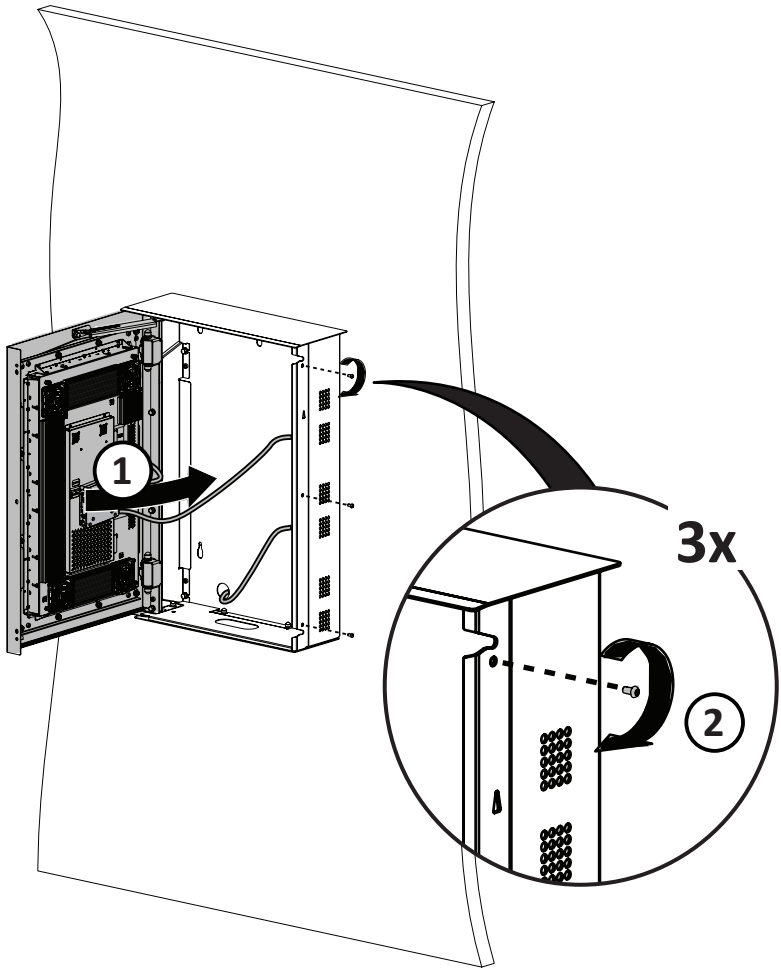


## 13 Cable/PSU management



**NB: MAGNETIC BRACKET CAN BE PLACED IN THE DESIRED POSITION.  
CABLES/PSU CAN BE MOUNTED USING CABLE TIES OR SIMILAR.**

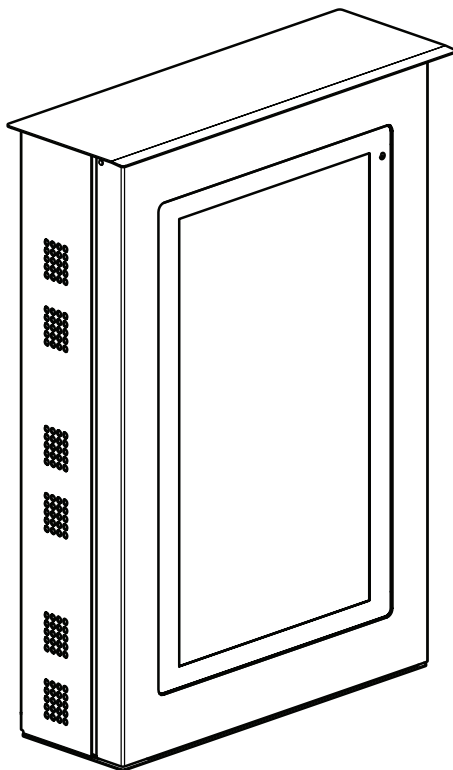
**14** Close cabinet door & screw in 3x secure Allen screws



**RECOMMENDED TO USE CABLE TIES TO SECURE CABLES TO SCREEN & CABINET. ENSURE ENOUGH SLACK FOR THE DOOR TO OPEN**

*This Page Intentionally Left Blank*

15 Installed SPOW000000



Need help? Contact us



ergonomic<sup>®</sup>  
solutions  
creators of SpacePole



spacepole<sup>®</sup>  
an ergonomic  
solutions company

[ergonomic.solutions/about/contact-us](http://ergonomic.solutions/about/contact-us)

[spacepole.com/about/contact-us](http://spacepole.com/about/contact-us)